

Power Conversion Solutions

THREE PHASE DRIVE ISOLATION TRANSFORMERS



STANDARD FEATURES

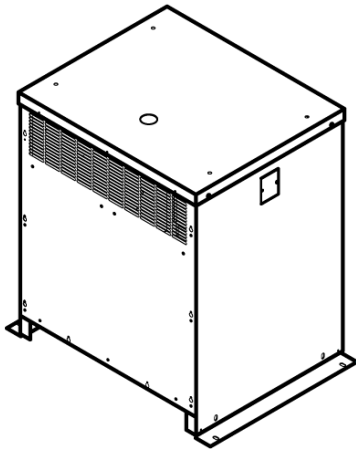
- CSA Certified
- UL Listed Insulation System
- Primary Voltage Range 208 – 600VAC
- Secondary Voltage Range 120 – 600 VAC
- Delta/Wye Configuration
- 60 Hz Frequency
- (1) 5% FCAN and (1) 5% FCBN Voltage Tap
- 3-6% Impedance
- 180°C Insulation System (115°C rise)
- Elevator Duty Rated
- Stackable Heavy Duty Ventilated NEMA Type 1 Enclosure
- ANSI 61 Gray Color
- Copper Coil Designs

OVERVIEW

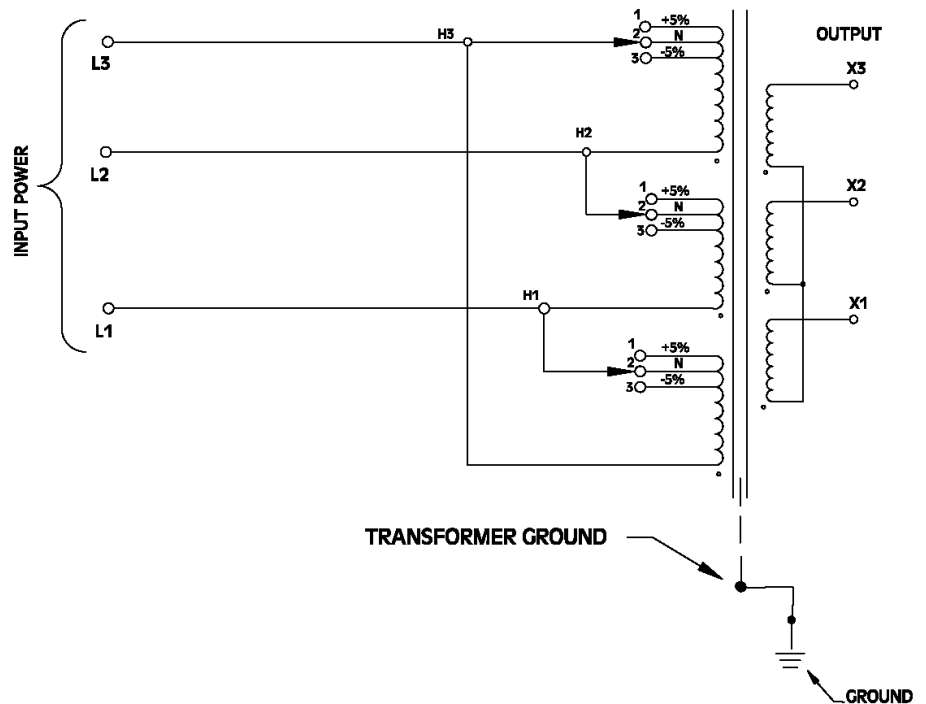
Warner Power Drive Isolation Transformers are specifically designed to handle the rugged demands of AC adjustable frequency or DC SCR motor drives. Transformers include isolated primary and secondary to protect the motor drive from line noise and are delta primary and wye secondary configured to match common power sources required in most three-phase rectifier circuits. Warner Power Drive Isolation Transformers include +/- 5% primary voltage taps and are Elevator Duty Rated for unequaled reliability. Unique space saving enclosure design allows cabinets to be stacked when coupled with Warner Power Filter Chokes. Options available are 220°C insulation system, 50 Hz, aluminum coil designs, input/output protection, custom paint colors, and more. Contact a Warner Power applications engineer for details.

KVA Rating	H.P. Rating	Height	Width	Depth	Weight (for Ref. Only)
11	7.5	28.50	25.00	24.00	165
14	10	28.50	25.00	24.00	215
20	15	28.50	25.00	24.00	275
27	20	28.50	25.00	24.00	340
34	25	28.50	25.00	24.00	360
40	30	28.50	25.00	24.00	390
51	40	28.50	25.00	24.00	475
63	50	28.50	25.00	24.00	575
75	60	34.00	36.00	24.00	625
93	75	34.00	36.00	24.00	640
118	100	43.00	36.00	30.00	900
145	125	43.00	36.00	30.00	950
175	150	43.00	36.00	30.00	1200
220	200	51.00	44.00	36.00	1550
275	250	51.00	44.00	36.00	1800
330	300	51.00	44.00	36.00	2000
440	400	Special - Call Warner Power for Details			
550	500	Special - Call Warner Power for Details			

Typical Enclosure Outline



Isolation Transformer Schematic



40 Depot Street, Warner NH 03278 USA
 Tel. 603-456-3111 • Fax 603-456-3754
 info@warnerpowers.com • www.warnerpowers.com