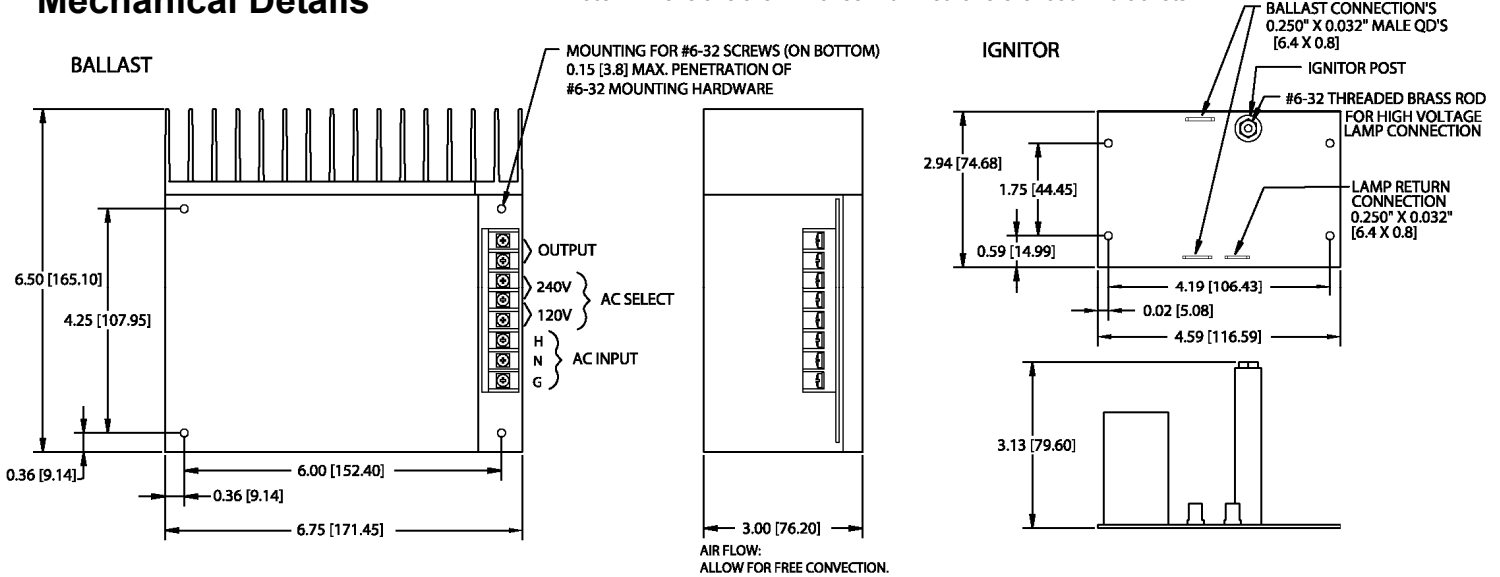


# SafeArc™ 150-400 Watt Metal Halide

## Mechanical Details

Note: Dimensions are in inches with metric referenced in brackets.



## Electrical Specifications

Input Voltage:	90-132 VAC/180-265VAC
Input Frequency:	47-63 Hz
Leakage (non-medical):	<0.75mA
Inrush Current:	34A peak @ 120VAC
Waveshape:	Square Wave
Frequency:	300Hz ± 10%
Power Regulation:	<5%
Short Circuit Protection:	Yes
Arc to Ground:	Yes
Lamp Overvoltage Shutdown:	Yes
Ignition Time Out:	2 to 3 seconds

## Mechanical Specifications

Dimensions: (Ballast)	6.75" x 6.5" x 3.00
	173mm x 166mm x 77mm
	117mm x 75mm x 80mm
Weight: (Ballast)	3.75lbs. 1.7kg
Operating Temperature:	0°C to +50°
Air Flow Requirements:	Allow for free convection
Storage Temperature:	-20°C to +85C

Specifications are subject to change without notice.

Contact factory for other options.

## Ballast Part Numbers

Lamp Type	Ballast Part Number
MSR200HR <sup>1</sup>	70-004500
HTI 400	70-002200
MSR400HR	70-006700

<sup>1</sup> MSR is a registered trademark of Philips Corporation.



40 Depot Street, Warner, NH 03278 USA • Tel. 603-456-3111 • Fax 603-456-3754

info@warnerpower.com • www.warnerpower.com